
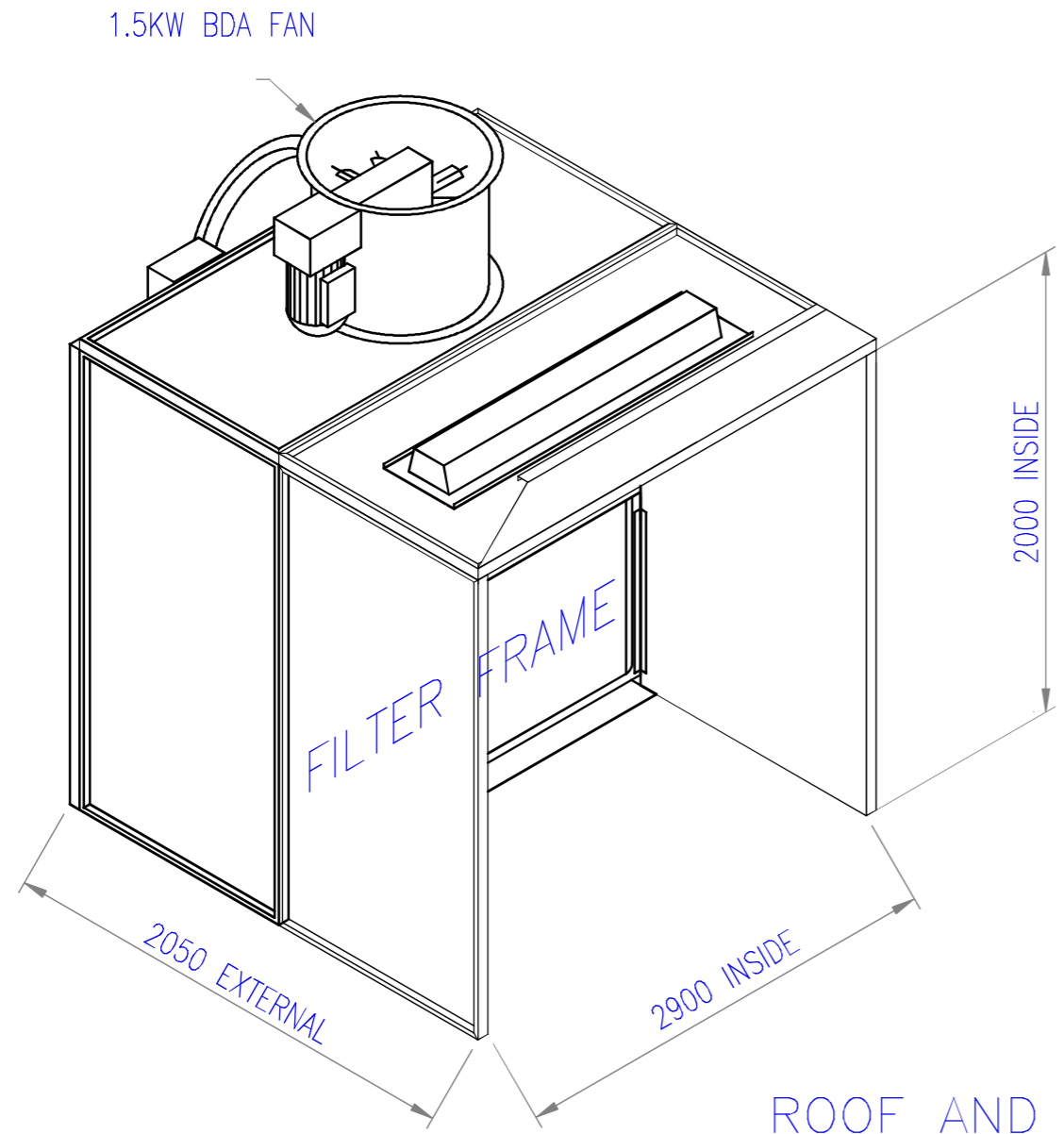
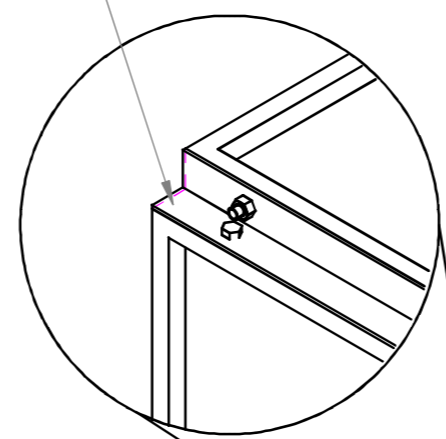
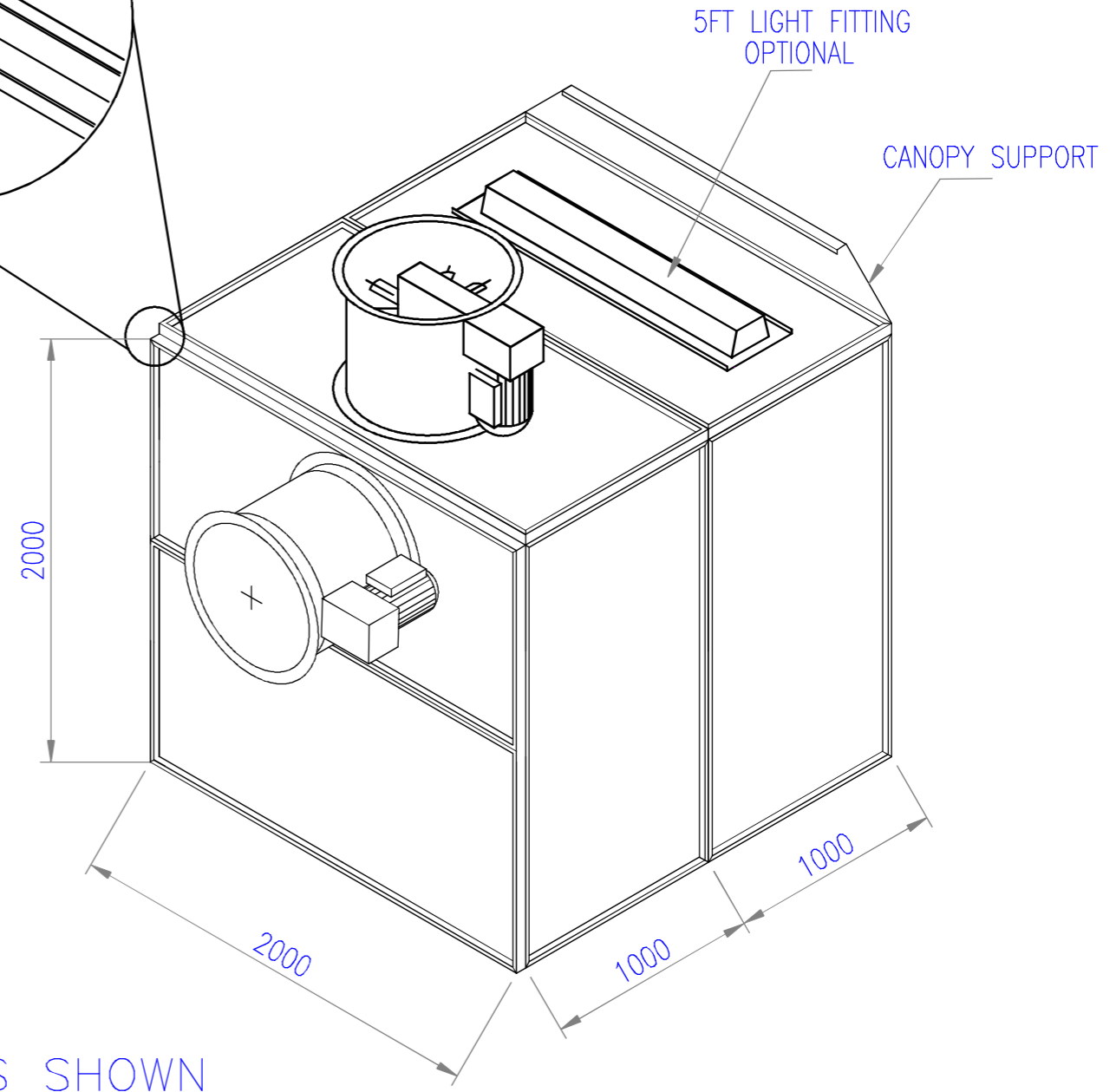


DO NOT SCALE  IF IN DOUBT ASK

ANGLE STRIP




FRONT VIEW OF BOOTH



REAR VIEW OF BOOTH

ROOF AND REAR EXITS SHOWN

D			
C			
B			
A			
REV	DESCRIPTION	DATE	SIG.
REVISIONS			
		<b>TITLE</b> 2.0 EDF DRY FILTER BOOTH	
<small>Northern Works, Underhill Lane, Sheffield S91 1L                  Tel: (0114) 232 7788 Fax: (0114) 232 7799                  email: sales@airflow-group.com                  www: airflow-group.com</small>		Drawn By GC Chck'd By	Scale NTS Date 15.11.16
<small>This drawing must not be used for manufacturing purposes                  copied nor communicated in any way to third parties without                  written permission from AIRFLOW International</small>		DRAWING No XXXXXX	REV