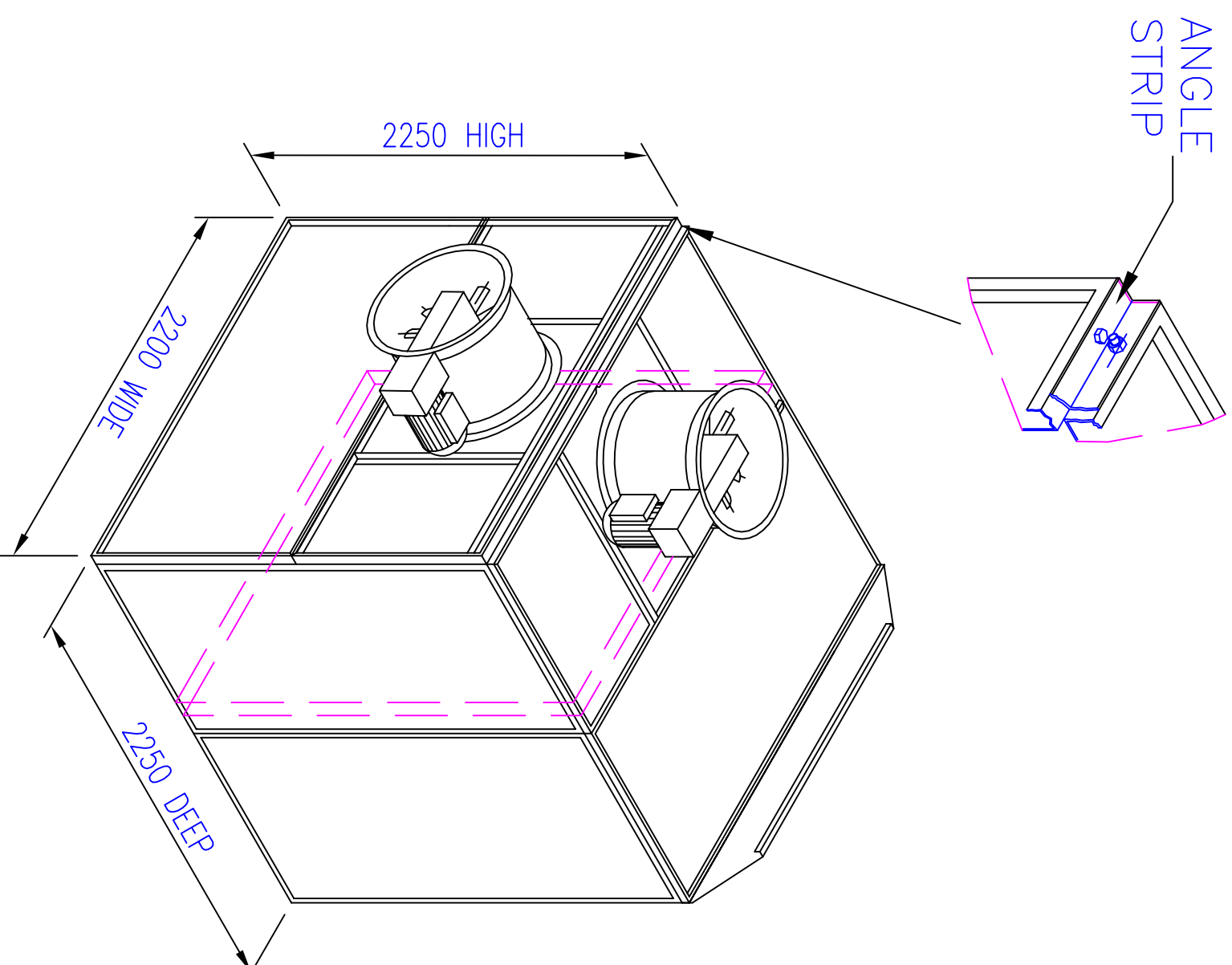
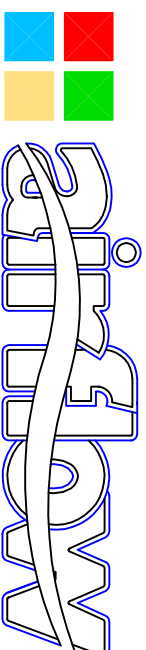


FRONT VIEW OF BOOTH



REAR VIEW OF BOOTH

- NOTES:
- REAR AND TOP OUTLETS SHOWN
  - ONLY BASIC DIMENSIONS SHOWN
  - SEE ALTERNATE SHEET FOR DUCTING OPTIONS
  - CANOPY EXTENSION MODULES AVAILABLE



This drawing must not be used for manufacturing purposes copied nor communicated in any way to third parties without written permission from AIRFLOW PRODUCT FINISHING LTD

# Basic Dimensions of 2.2 Dry Filter Booth

SIZE	FSCM NO.	DWG NO.	REV
A4		DF2.2 ISO SALES	A

SCALE	SHEET
NTS	