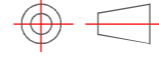
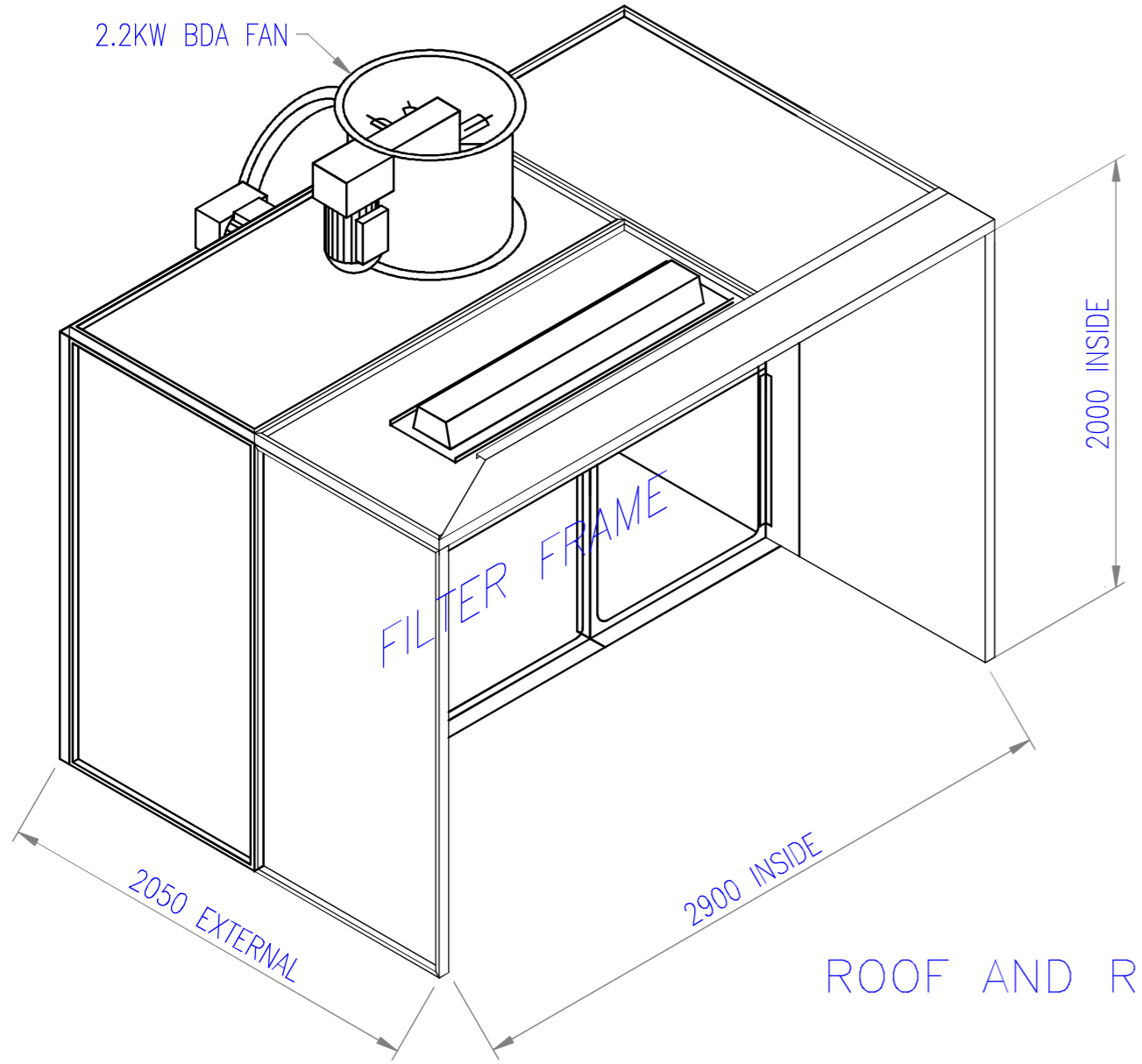
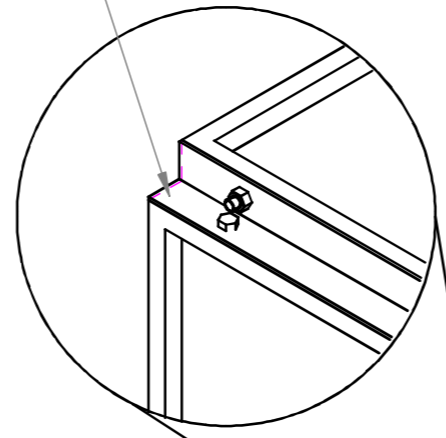
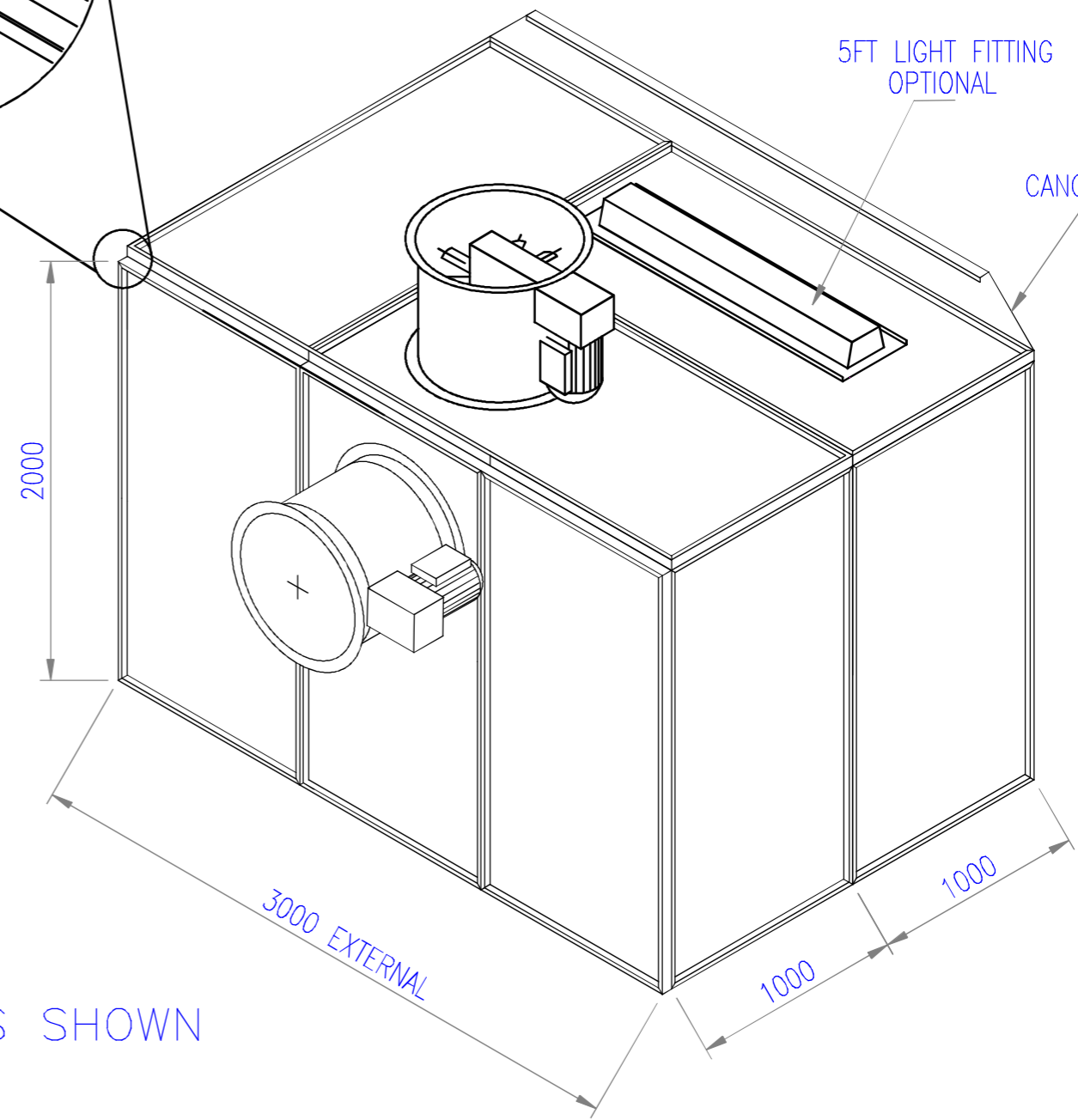


DO NOT SCALE  IF IN DOUBT ASK

ANGLE STRIP




FRONT VIEW OF BOOTH



REAR VIEW OF BOOTH

ROOF AND REAR EXITS SHOWN

| D | | | |
|--|-------------|--|-----------------------------|
| C | | | |
| B | | | |
| A | | | |
| REV | DESCRIPTION | DATE | SIG. |
| REVISIONS | | | |
|  | | TITLE 3.0 EDF DRY FILTER BOOTH | |
| <small> Northern Works, Underhill Lane, Sheffield S91 1L Tel: (0114) 232 7788 Fax: (0114) 232 7799 email: sales@airflow-group.com www: airflow-group.com </small> | | Drawn By GC | Scale NTS |
| <small>This drawing must not be used for manufacturing purposes copied or communicated in any way to third parties without written permission from AIRFLOW GROUP LTD</small> | | Chck'd By Date 15.11.16 | DRAWING No XXXXXX REV |